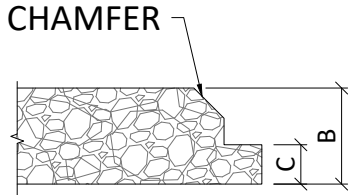


1 TYPICAL PANEL OPTIONS
1 SCALE: 3/4" = 1'-0"

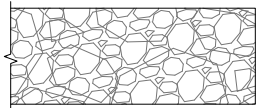


TEGULAR

PANEL OPTIONS	
B	C
1"	7/16"
1-3/8"	13/16"
2"	1-7/16"

FINISH OPTIONS
PRIMED CLEAR
PRIMED WHITE
CUSTOM PAINTED

2 PANEL PROFILE OPTION - TEGULAR
1 SCALE: 6" = 1'-0"



SQUARE

PANEL OPTIONS
5/8"
1"
1-3/8"
2"

FINISH OPTIONS
PRIMED CLEAR
PRIMED WHITE
CUSTOM PAINTED

3 PANEL PROFILE OPTION - SQUARE
1 SCALE: 6" = 1'-0"



123 Columbia Court North, Chaska, Minnesota 55318 P. 800.527.6253

ENVIROACOUSTIC WOOD WOOL - LAY-IN CEILING
PANEL OPTIONS

SCALE: AS NOTED

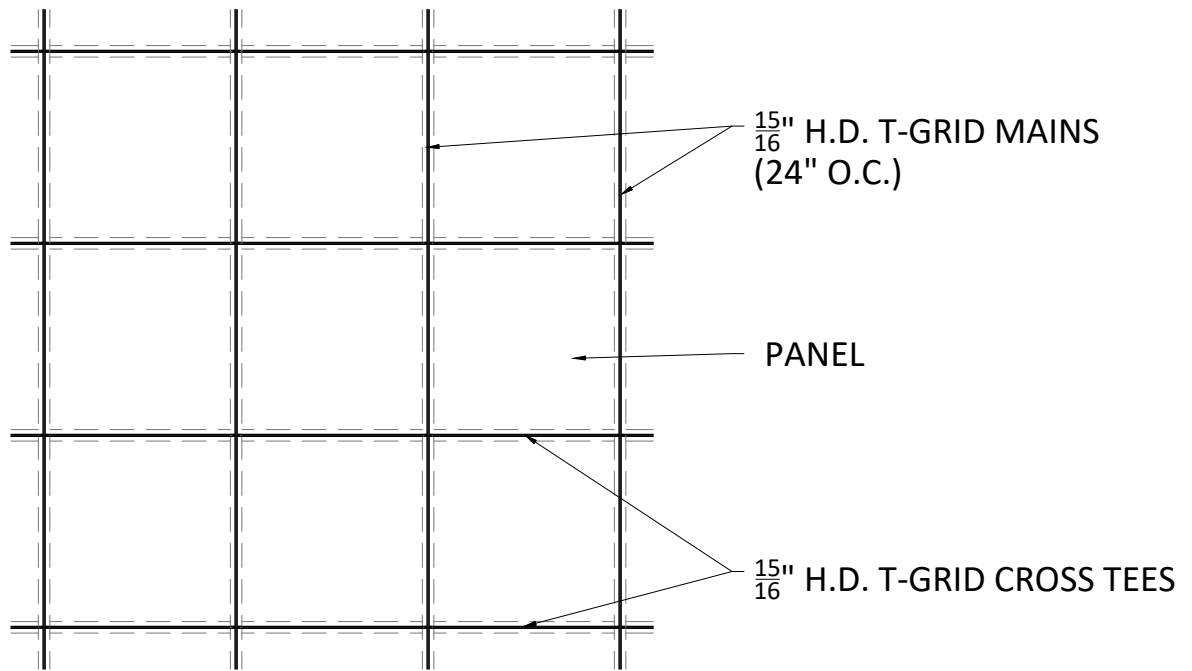
LAST REVISED: 7/6/2022

DRAWN BY: BH

DO NOT SCALE DRAWING. FIGURED DIMENSIONS ARE TO BE FOLLOWED. READ THIS DRAWING IN CONNECTION WITH GENERAL ARCHITECTURAL PLANS, STRUCTURAL PLANS, AND OTHER RELATED DRAWINGS. THESE DRAWINGS REPRESENT ASI'S UNDERSTANDING AND INTERPRETATION OF THE ARCHITECTURAL DRAWINGS AND HOW ASI PRODUCTS RELATE TO THE PROJECT. COPYRIGHT ASI © 2022

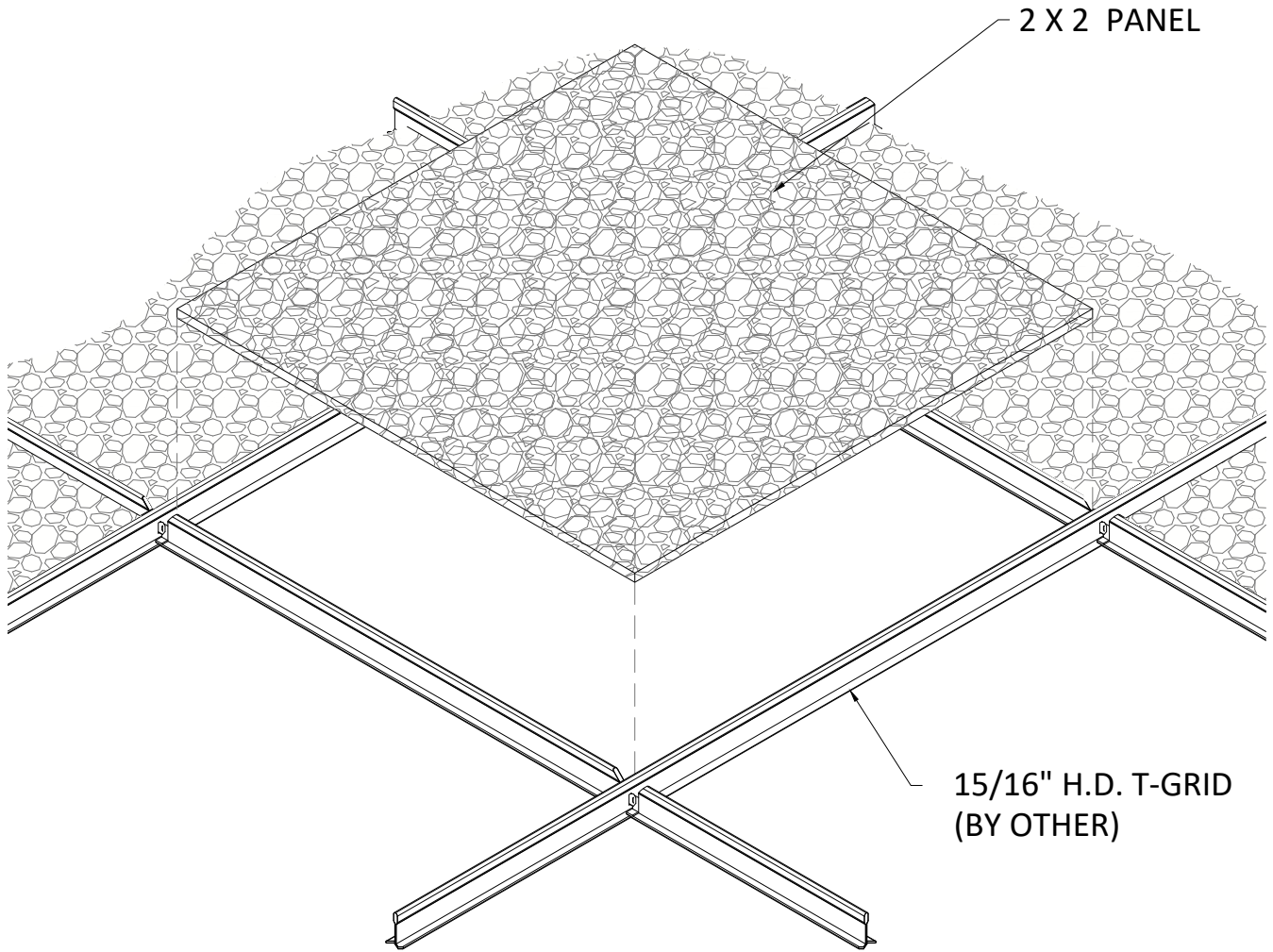
SHEET NUMBER

1



1 TYPICAL LAY-IN CEILING PANEL T-GRID LAYOUT
 2 SCALE: 1/2" = 1'-0"

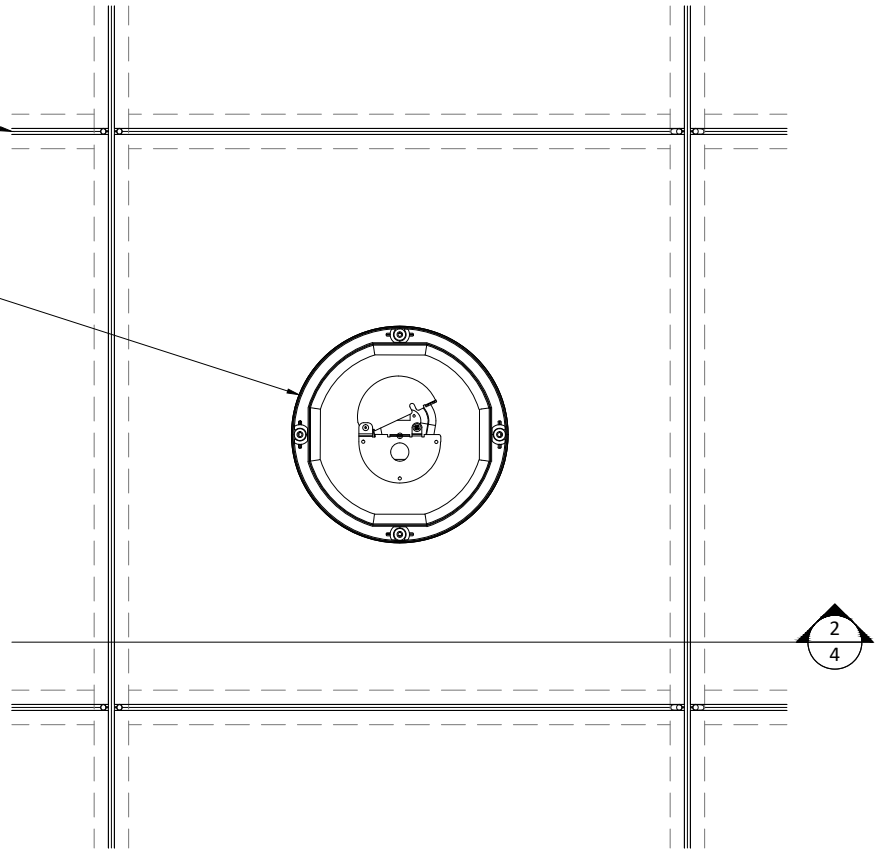
	PANEL SIZE	
NOMINAL	2X2	2X4
ACTUAL SIZE	23.75" X 23.75"	23.75" X 47.75"
RECOMMENDED CROSS TEE/FURRING SPACING	24" O.C.	48" O.C.



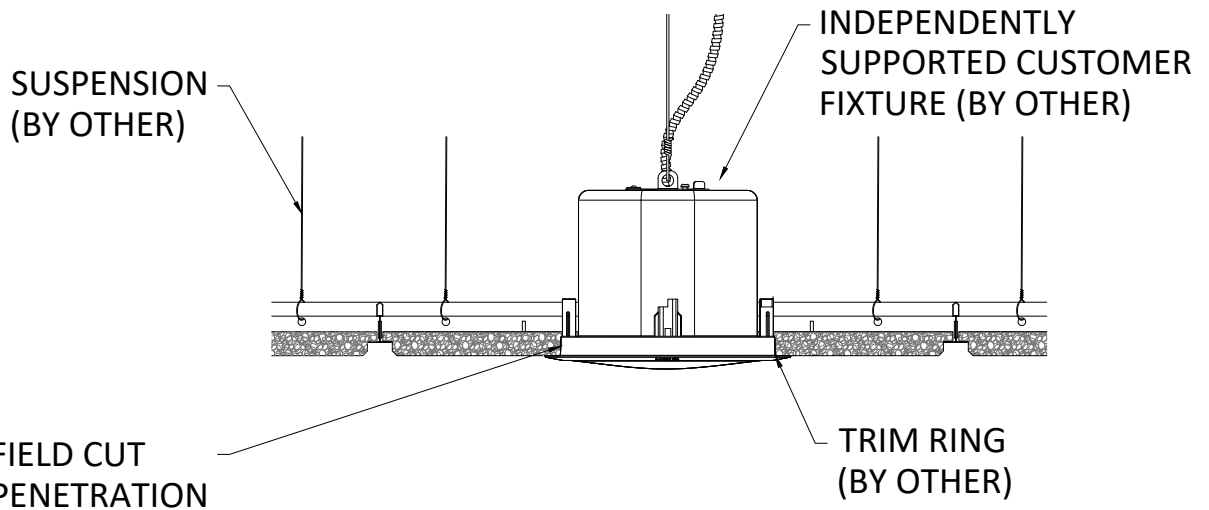
1
3
LAY-IN CEILING ISOMETRIC
 SCALE: 1 1/2" = 1'-0"

15"
16" HD T-GRID MAINS
(BY OTHER)

INDEPENDENTLY SUPPORTED
CUSTOMER FIXTURE (FIELD
CUT PENETRATION)



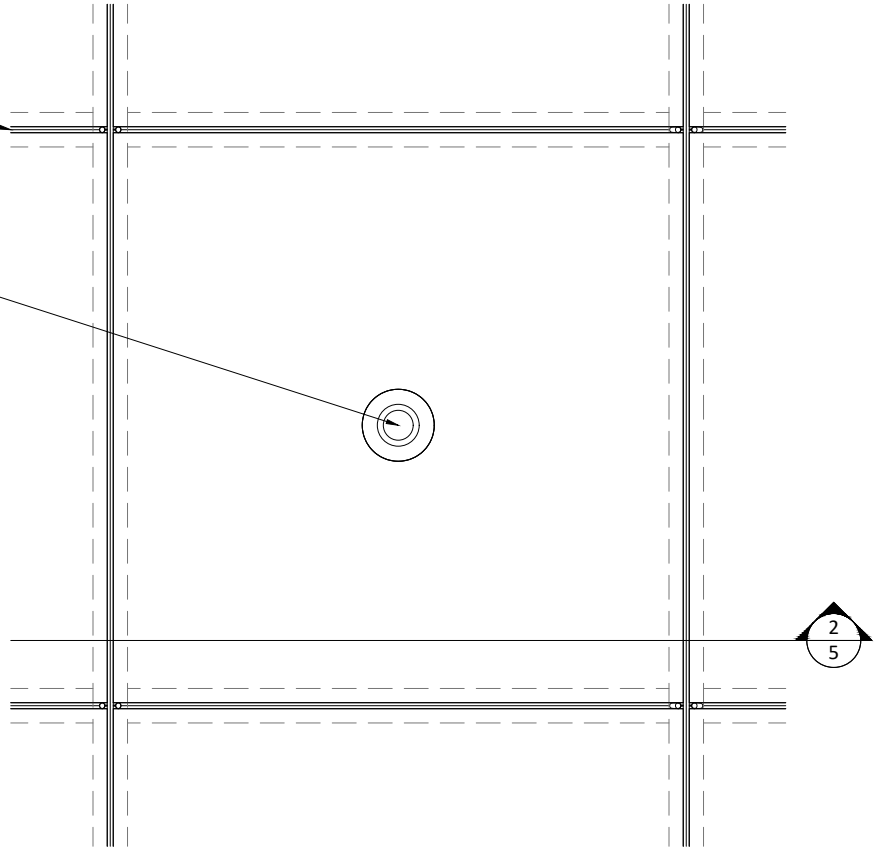
1 LAY-IN CEILING CAN LIGHT PLAN
4 SCALE: 1 1/2" = 1'-0"



2 LAY-IN CEILING CAN LIGHT SECTION
4 SCALE: 1 1/2" = 1'-0"

15"
16" HD T-GRID MAINS
(BY OTHER)

INDEPENDENTLY SUPPORTED
CUSTOMER FIXTURE (FIELD
CUT PENETRATION)



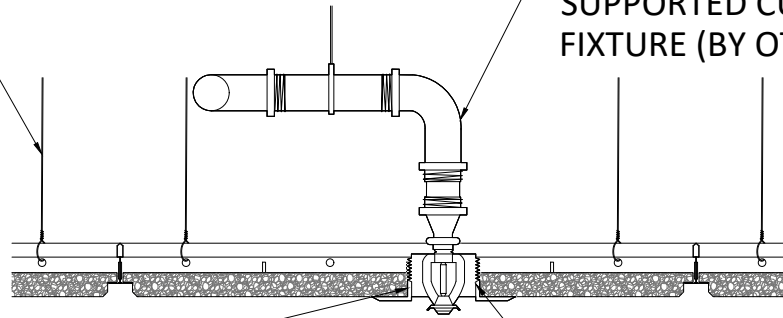
1 LAY-IN CEILING SPRINKLER PLAN
5 SCALE: 1 1/2" = 1'-0"

SUSPENSION
(BY OTHER)

INDEPENDENTLY
SUPPORTED CUSTOMER
FIXTURE (BY OTHER)

FIELD CUT
PENETRATION

TRIM RING
(BY OTHER)



2 LAY-IN CEILING SPRINKLER SECTION
5 SCALE: 1 1/2" = 1'-0"



123 Columbia Court North, Chaska,
Minnesota 55318 P. 800.527.6253

ENVIROACOUSTIC WOOD WOOL - LAY-IN CEILING
SPRINKLER DETAILS

SCALE: AS NOTED

LAST REVISED: 7/6/2022

DRAWN BY: BH

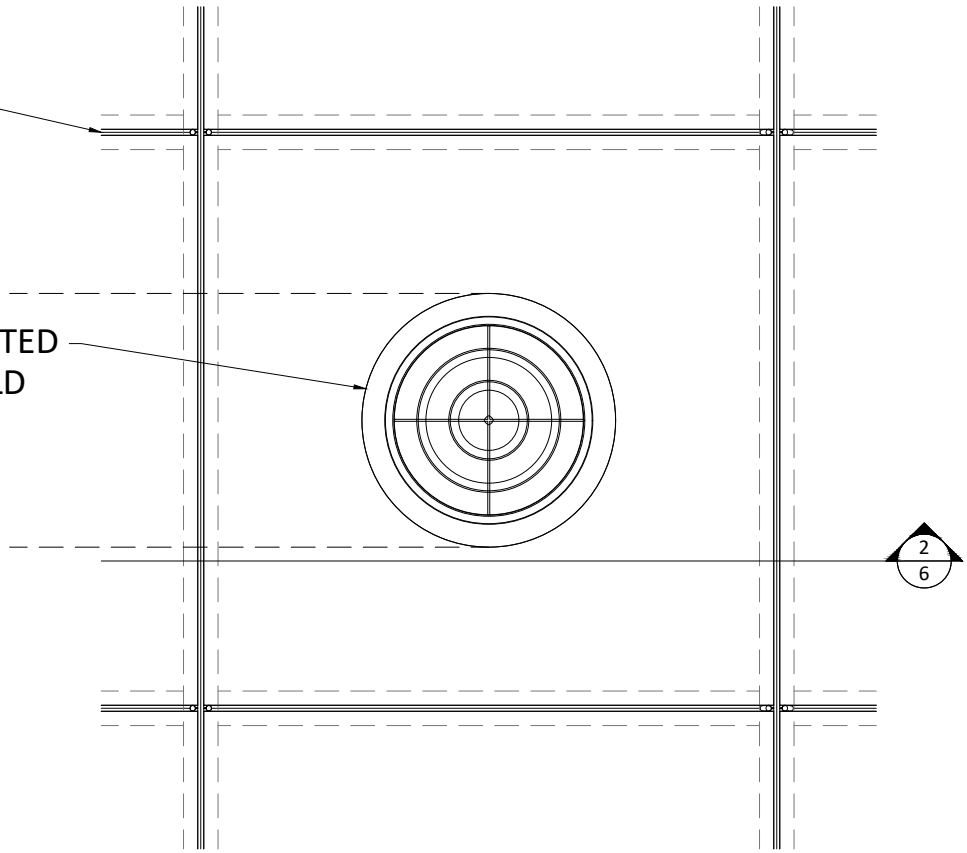
SHEET NUMBER

5

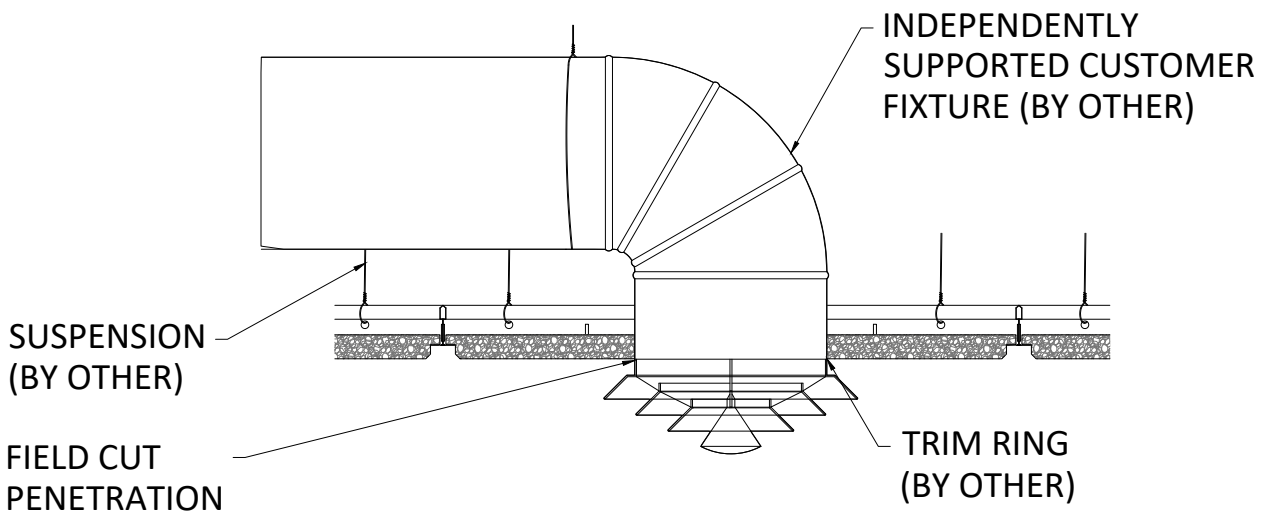
DO NOT SCALE DRAWING. FIGURED DIMENSIONS ARE TO BE FOLLOWED. READ THIS DRAWING IN CONNECTION WITH GENERAL ARCHITECTURAL PLANS, STRUCTURAL PLANS, AND OTHER RELATED DRAWINGS. THESE DRAWINGS REPRESENT ASI'S UNDERSTANDING AND INTERPRETATION OF THE ARCHITECTURAL DRAWINGS AND HOW ASI PRODUCTS RELATE TO THE PROJECT. COPYRIGHT ASI © 2022

$\frac{15}{16}$ " HD T-GRID MAINS
(BY OTHER)

INDEPENDENTLY SUPPORTED
CUSTOMER FIXTURE (FIELD
CUT PENETRATION)



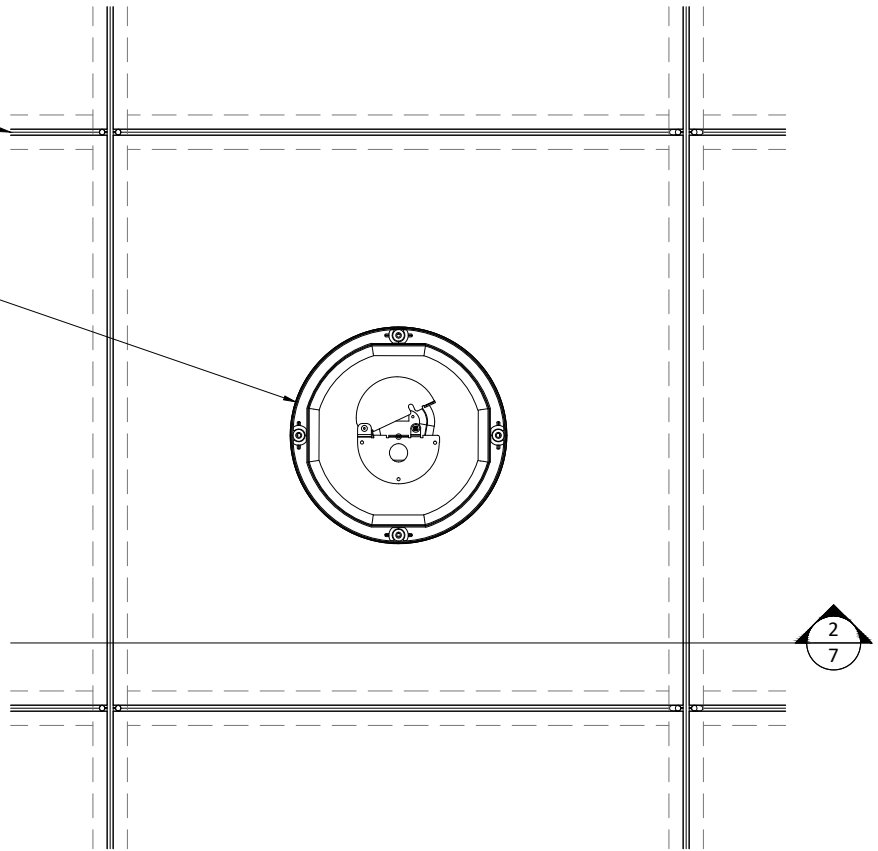
1 LAY-IN CEILING DIFFUSER PLAN
6 SCALE: 1 1/2" = 1'-0"



2 LAY-IN CEILING DIFFUSER SECTION
6 SCALE: 1 1/2" = 1'-0"

15"
16" HD T-GRID MAINS
(BY OTHER)

INDEPENDENTLY SUPPORTED
CUSTOMER FIXTURE (FIELD
CUT PENETRATION)



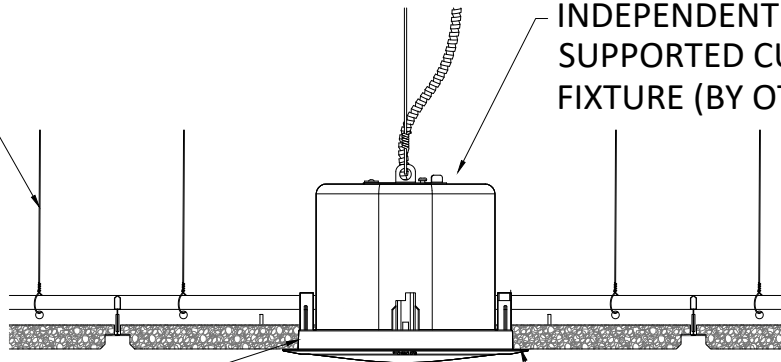
1 LAY-IN CEILING SPEAKER PLAN
7 SCALE: 1 1/2" = 1'-0"

SUSPENSION
(BY OTHER)

INDEPENDENTLY
SUPPORTED CUSTOMER
FIXTURE (BY OTHER)

FIELD CUT
PENETRATION

TRIM RING
(BY OTHER)



2 LAY-IN CEILING SPEAKER SECTION
7 SCALE: 1 1/2" = 1'-0"



123 Columbia Court North, Chaska,
Minnesota 55318 P. 800.527.6253

ENVIROACOUSTIC WOOD WOOL - LAY-IN CEILING
RECESSED SPEAKER DETAILS

SCALE: AS NOTED

LAST REVISED: 7/6/2022

DRAWN BY: BH

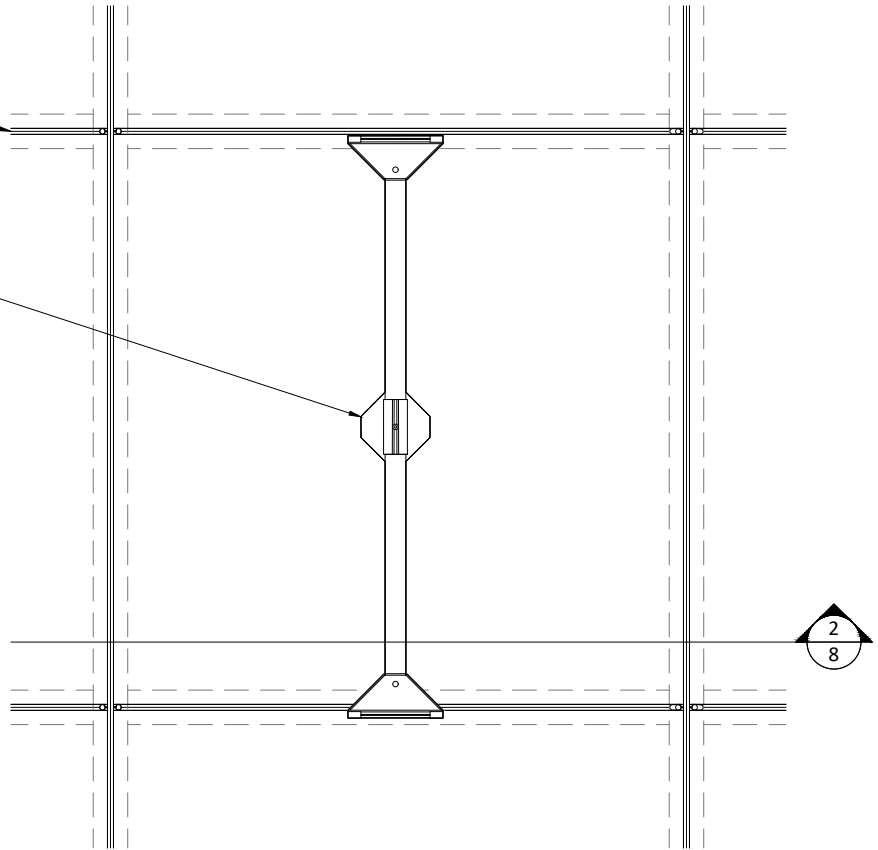
SHEET NUMBER

7

DO NOT SCALE DRAWING. FIGURED DIMENSIONS ARE TO BE FOLLOWED. READ THIS DRAWING IN CONNECTION WITH GENERAL ARCHITECTURAL PLANS, STRUCTURAL PLANS, AND OTHER RELATED DRAWINGS. THESE DRAWINGS REPRESENT ASI'S UNDERSTANDING AND INTERPRETATION OF THE ARCHITECTURAL DRAWINGS AND HOW ASI PRODUCTS RELATE TO THE PROJECT. COPYRIGHT ASI © 2022

15"
16" HD T-GRID MAINS
(BY OTHER)

INDEPENDENTLY SUPPORTED
CUSTOMER FIXTURE (FIELD
CUT PENETRATION)



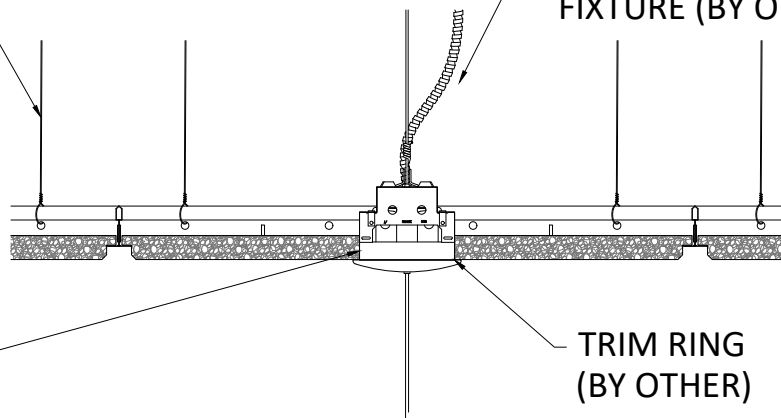
1 LAY-IN CEILING PENDANT LIGHT PLAN
8 SCALE: 1 1/2" = 1'-0"

SUSPENSION
(BY OTHER)

INDEPENDENTLY
SUPPORTED CUSTOMER
FIXTURE (BY OTHER)

FIELD CUT
PENETRATION

TRIM RING
(BY OTHER)



2 LAY-IN CEILING PENDANT LIGHT SECTION
8 SCALE: 1 1/2" = 1'-0"



123 Columbia Court North, Chaska,
Minnesota 55318 P. 800.527.6253

ENVIROACOUSTIC WOOD WOOL - LAY-IN CEILING
PENDANT LIGHT DETAILS

SCALE: AS NOTED

LAST REVISED: 7/6/2022

DRAWN BY: BH

DO NOT SCALE DRAWING. FIGURED DIMENSIONS ARE TO BE FOLLOWED. READ THIS DRAWING IN CONNECTION WITH GENERAL ARCHITECTURAL PLANS, STRUCTURAL PLANS, AND OTHER RELATED DRAWINGS. THESE DRAWINGS REPRESENT ASI'S UNDERSTANDING AND INTERPRETATION OF THE ARCHITECTURAL DRAWINGS AND HOW ASI PRODUCTS RELATE TO THE PROJECT. COPYRIGHT ASI © 2022

SHEET NUMBER

8