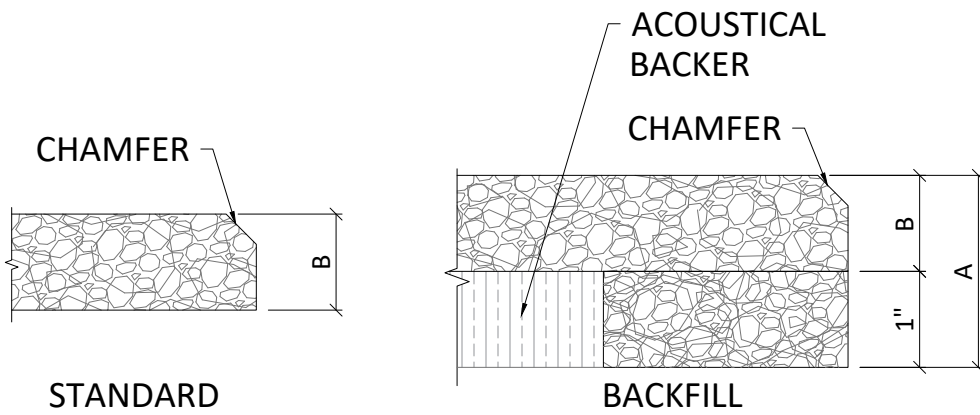


1 TYPICAL PANEL OPTIONS  
 1 SCALE: 3/4" = 1'-0"



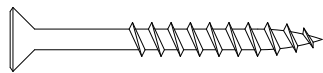
FINISH OPTIONS	
PRIMED CLEAR	
PRIMED WHITE	
CUSTOM PAINTED	

PANEL OPTIONS	
A	B
2"	1"
2-3/8"	1-3/8"
3"	2"

2 PANEL PROFILE OPTIONS  
 1 SCALE: 6" = 1'-0"

SCREW TYPE CHART			
PANEL THICKNESS	SUBSTRATE	RECOMMENDED SCREW TYPE	RECOMMENDED SCREW LENGTH
1"	HAT CHANNEL OR THIN METAL	SELF-TAPPING	2"
1-3/8"	HAT CHANNEL OR THIN METAL	SELF-TAPPING	2-1/4"
2"	HAT CHANNEL OR THIN METAL	SELF-TAPPING	3"
1"	WALL BOARD OR WOOD FURRING	DRYWALL SCREW	1-5/8"
1-3/8"	WALL BOARD OR WOOD FURRING	DRYWALL SCREW	2-1/4"
2"	WALL BOARD OR WOOD FURRING	DRYWALL SCREW	3"
1"	CONCRETE	TAPCON	2-1/4"
1-3/8"	CONCRETE	TAPCON	2-3/4"
2"	CONCRETE	TAPCON	3-1/4"

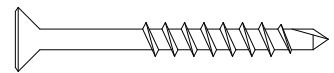
SCREW SPACING CHART		
APPLICATION	MINIMUM O.C. SPACING	MINIMUM SCREW DISTANCE FROM EDGE OF PANEL
CEILING	12"	$\frac{3}{4}$ "
WALL	24"	$\frac{3}{4}$ "
WALL: HIGH TRAFFIC	12"	$\frac{3}{4}$ "



#6 SHARP POINT DRYWALL SCREW RECOMMENDED FOR WOOD APPLICATION



#6 CMU SCREW RECOMMENDED FOR MASONRY APPLICATION



#6 SELF TAPPING SCREW RECOMMENDED FOR METAL APPLICATIONS)



123 Columbia Court North, Chaska, Minnesota 55318 P. 800.527.6253

ENVIROACOUSTIC WOOD WOOL - DIRECT ATTACH CEILING RECOMMENDED FASTENER OPTIONS

SCALE: AS NOTED

LAST REVISED: 7/6/2022

DRAWN BY: BH

SHEET NUMBER

2

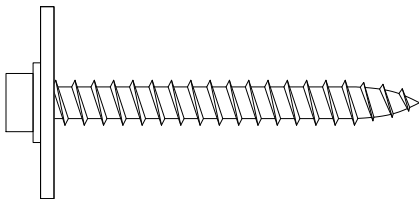
DO NOT SCALE DRAWING. FIGURED DIMENSIONS ARE TO BE FOLLOWED. READ THIS DRAWING IN CONNECTION WITH GENERAL ARCHITECTURAL PLANS, STRUCTURAL PLANS, AND OTHER RELATED DRAWINGS. THESE DRAWINGS REPRESENT ASI'S UNDERSTANDING AND INTERPRETATION OF THE ARCHITECTURAL DRAWINGS AND HOW ASI PRODUCTS RELATE TO THE PROJECT. COPYRIGHT ASI © 2022

**SCREW TYPE CHART**

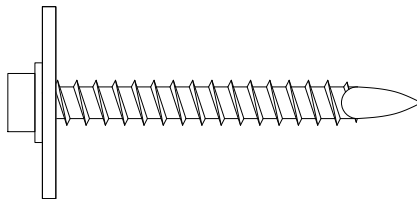
PANEL THICKNESS	SUBSTRATE	RECOMMENDED SCREW TYPE	RECOMMENDED SCREW LENGTH
1"	HAT CHANNEL OR THIN METAL	SELF-TAPPING	2"
1-3/8"	HAT CHANNEL OR THIN METAL	SELF-TAPPING	2-1/4"
2"	HAT CHANNEL OR THIN METAL	SELF-TAPPING	3"
1"	WALL BOARD OR WOOD FURRING	WOOD SCREW	1-5/8"
1-3/8"	WALL BOARD OR WOOD FURRING	WOOD SCREW	2-1/4"
2"	WALL BOARD OR WOOD FURRING	WOOD SCREW	3"
1"	CONCRETE	CMU	2-1/4"
1-3/8"	CONCRETE	CMU	2-3/4"
2"	CONCRETE	CMU	3-1/4"

**SCREW SPACING CHART**

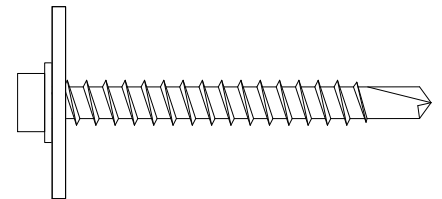
APPLICATION	MINIMUM O.C. SPACING	MINIMUM SCREW DISTANCE FROM EDGE OF PANEL
CEILING	12"	3/4"
WALL	24"	3/4"
WALL: HIGH TRAFFIC	12"	3/4"



**1/4"-14 HEX WOOD  
SCREW W/ 1" WASHER**



**1/4"-14 HEX CMU  
SCREW W/ 1" WASHER**



**1/4"-14 HEX METAL  
SCREW W/ 1" WASHER**



123 Columbia Court North, Chaska,  
Minnesota 55318 P. 800.527.6253

**ENVIROACOUSTIC WOOD WOOL - DIRECT ATTACH CEILING  
ALTERNATE RECOMMENDED FASTER OPTIONS**

SCALE: AS NOTED

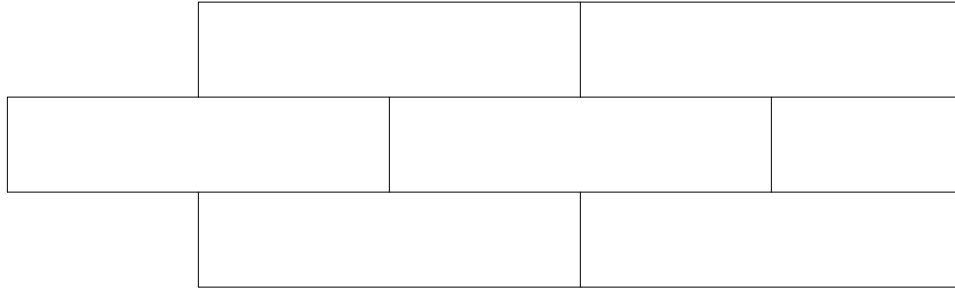
LAST REVISED: 7/6/2022

DRAWN BY: BH

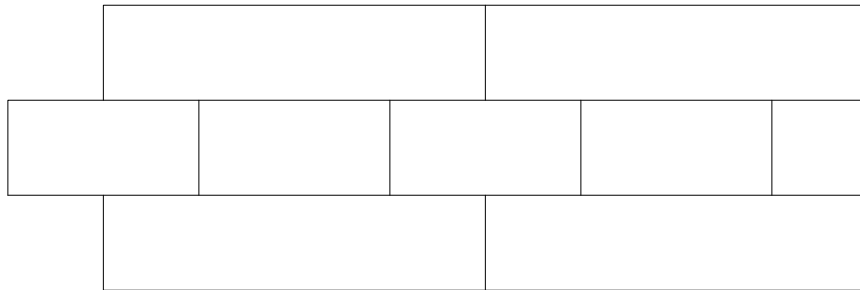
SHEET NUMBER

**3**

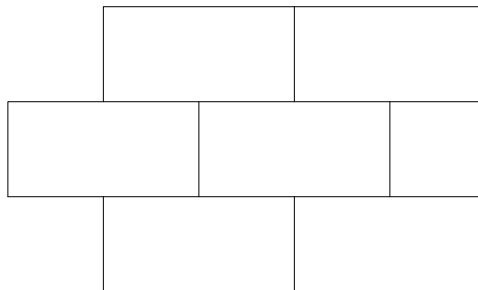
DO NOT SCALE DRAWING. FIGURED DIMENSIONS ARE TO BE FOLLOWED. READ THIS DRAWING IN CONNECTION WITH GENERAL ARCHITECTURAL PLANS, STRUCTURAL PLANS, AND OTHER RELATED DRAWINGS. THESE DRAWINGS REPRESENT ASI'S UNDERSTANDING AND INTERPRETATION OF THE ARCHITECTURAL DRAWINGS AND HOW ASI PRODUCTS RELATE TO THE PROJECT. COPYRIGHT ASI © 2022



TYPICAL 2X8 PANEL LAYOUT

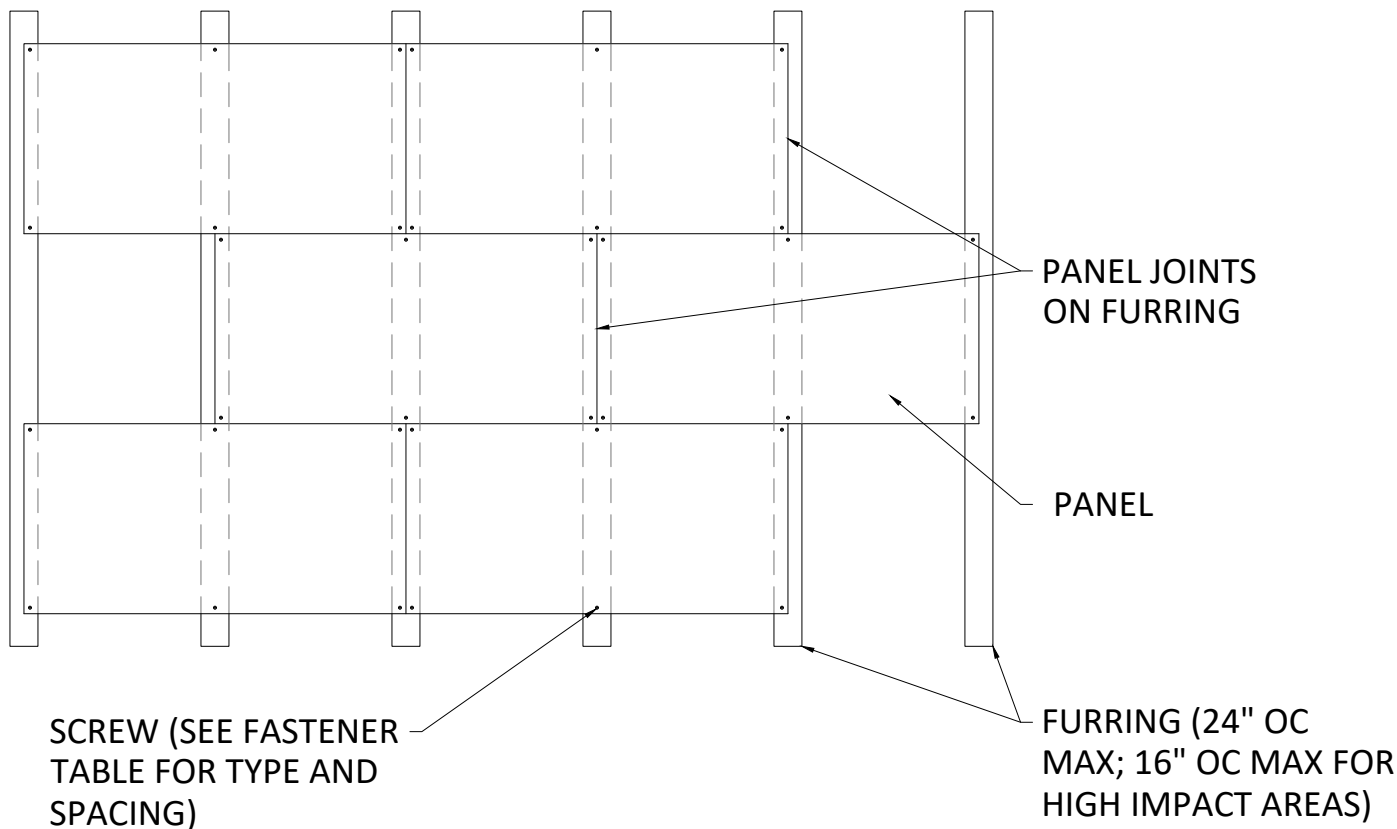


2X8 / 2X4 PANEL LAYOUT



TYPICAL 2X4 PANEL LAYOUT

- ALL ENDS MUST BE STAGGERED (AS SHOWN)
- ALL ENDS MUST FALL ON FURRING OR DRYWALL T-GRID
- 2X8 PANELS AND 2X4 PANELS CAN BE USED INTERCHANGEABLY (ONE 2X4 PANEL IS EXACTLY HALF THE LENGTH OF ONE 2X8 PANEL)



SCREW (SEE FASTENER TABLE FOR TYPE AND SPACING)

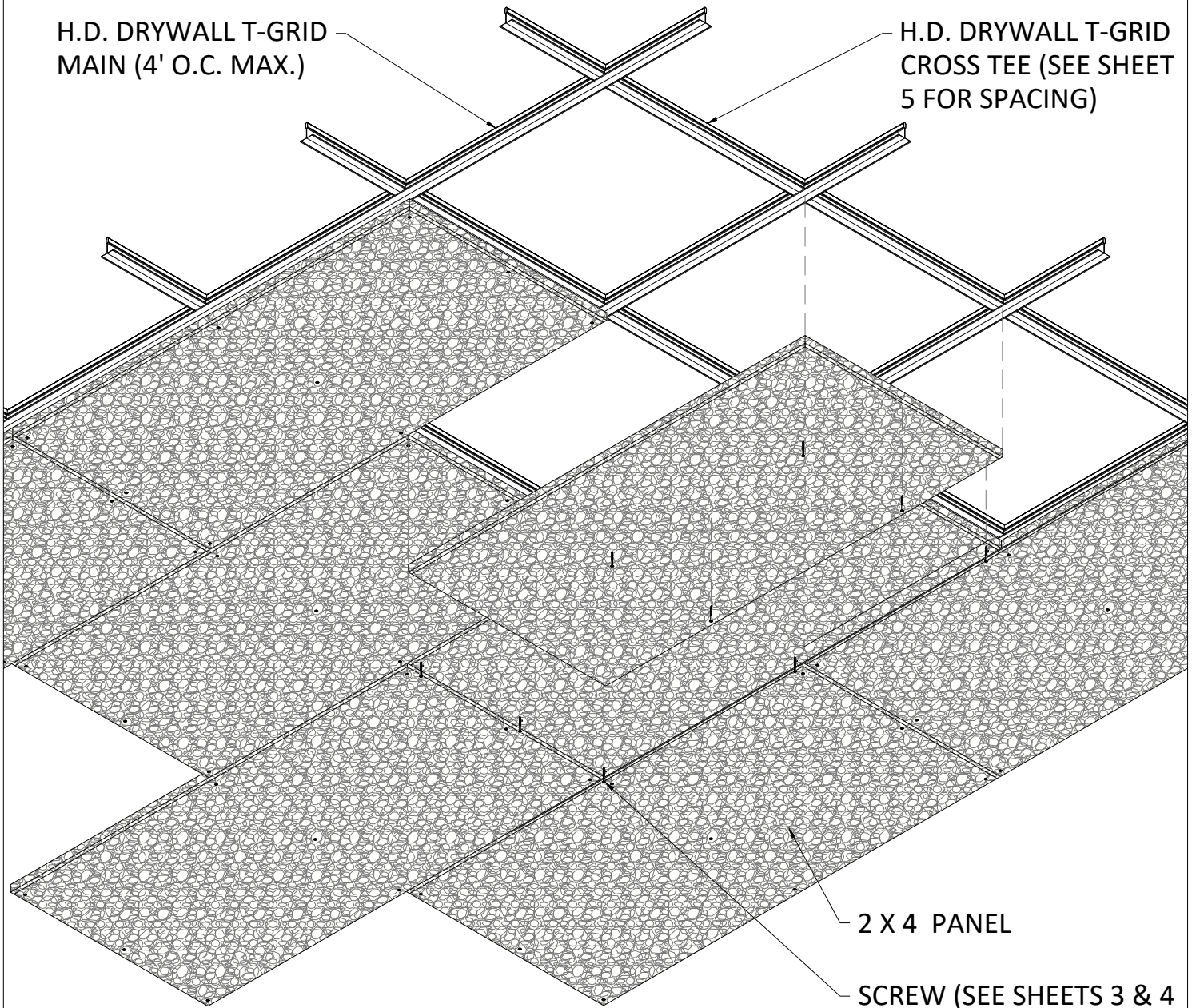
FURRING (24" OC MAX; 16" OC MAX FOR HIGH IMPACT AREAS)

- FURRING TO BE PERPENDICULAR TO LENGTH OF PANEL
- ENDS TO BE STAGGERED AND FALL ON FURRING
- PANELS TO BE SCREWED TO FURRING (SEE FASTENER TABLE FOR TYPE AND SPACING)
- CONFIGURATION APPLIES TO ALL SIZES (2X4 PANEL SHOWN)

NOMINAL	PANEL SIZE	
	2X4	2X8
ACTUAL SIZE	24" X 48"	24" X 96"
RECOMMENDED FURRING SPACING	24" O.C.	24" O.C.

H.D. DRYWALL T-GRID  
MAIN (4' O.C. MAX.)

H.D. DRYWALL T-GRID  
CROSS TEE (SEE SHEET  
5 FOR SPACING)



2 X 4 PANEL

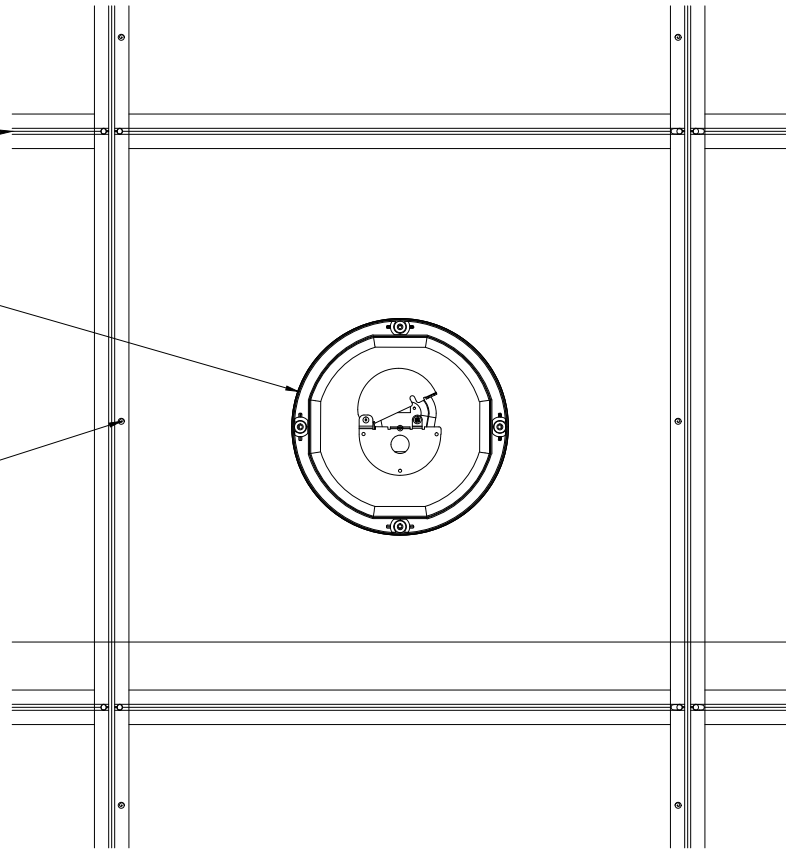
SCREW (SEE SHEETS 3 & 4  
FOR TYPE AND SPACING)

1 DIRECT ATTACH ISOMETRIC (2X4 PANEL)  
6 SCALE: 3/4" = 1'-0"

DRYWALL T-GRID  
MAINS (BY OTHER)

INDEPENDENTLY SUPPORTED  
CUSTOMER FIXTURE (FIELD  
CUT PENETRATION)

SCREW (SEE FASTENER  
TABLE FOR TYPE AND  
SPACING)



1 DIRECT ATTACH CAN LIGHT PLAN  
7 SCALE: 1 1/2" = 1'-0"

SUSPENSION (BY OTHER)

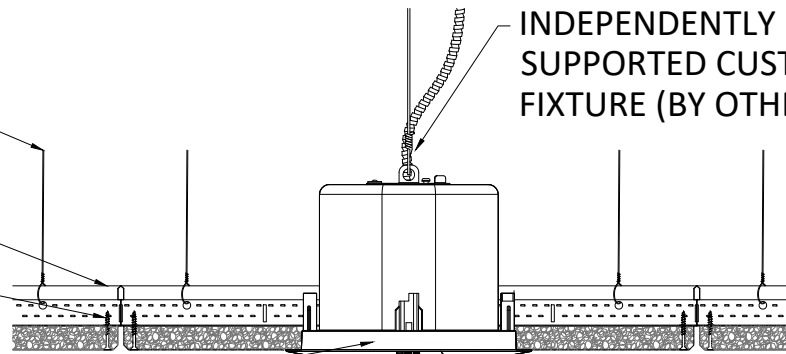
DRYWALL T-GRID  
(BY OTHER)

SCREW (SEE FASTENER TABLE  
FOR TYPE AND SPACING)

FIELD CUT  
PENETRATION

INDEPENDENTLY  
SUPPORTED CUSTOMER  
FIXTURE (BY OTHER)

TRIM RING (BY OTHER)

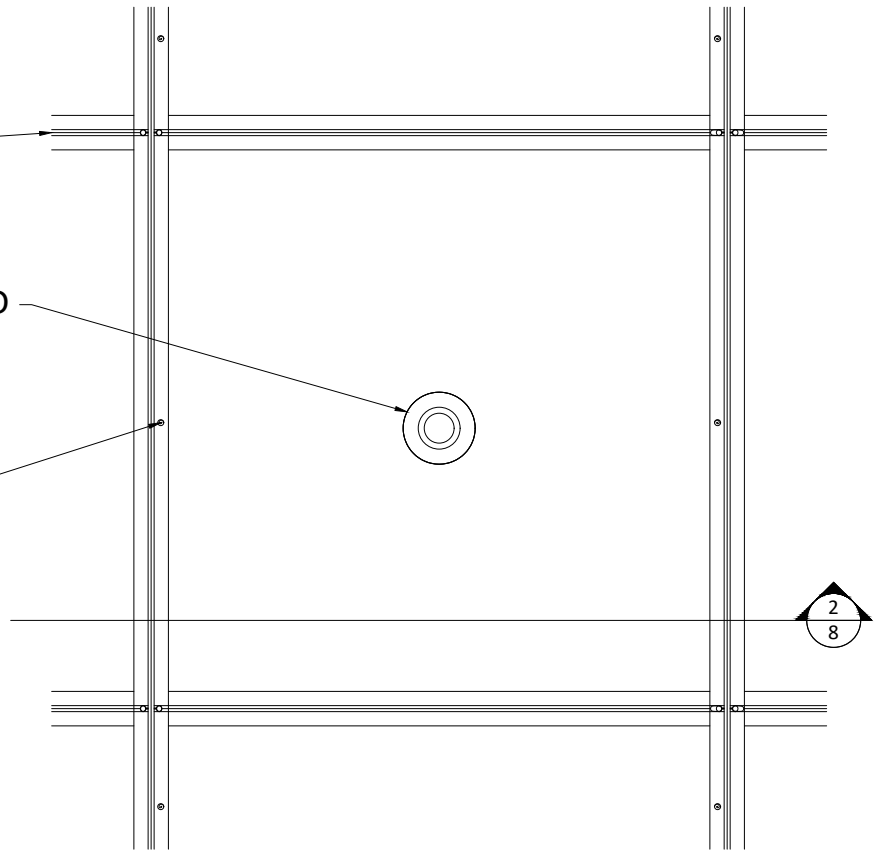


2 DIRECT ATTACH CAN LIGHT SECTION  
7 SCALE: 1 1/2" = 1'-0"

DRYWALL T-GRID  
MAINS (BY OTHER)

INDEPENDENTLY SUPPORTED  
CUSTOMER FIXTURE (FIELD  
CUT PENETRATION)

SCREW (SEE FASTENER  
TABLE FOR TYPE AND  
SPACING)



1 DIRECT ATTACH SPRINKLER PLAN  
SCALE: 1 1/2" = 1'-0"

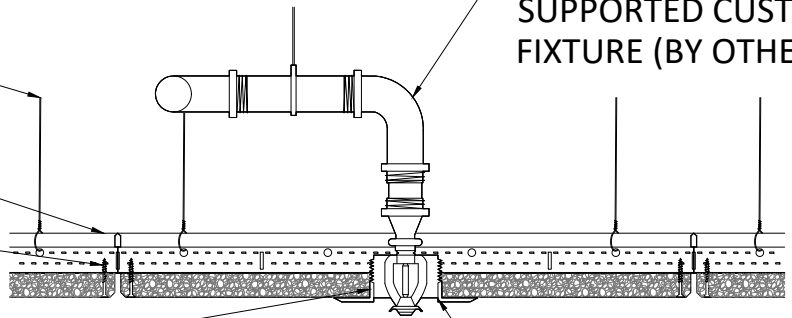
SUSPENSION (BY OTHER)

DRYWALL T-GRID  
(BY OTHER)

SCREW (SEE FASTENER TABLE  
FOR TYPE AND SPACING)

FIELD CUT  
PENETRATION

INDEPENDENTLY  
SUPPORTED CUSTOMER  
FIXTURE (BY OTHER)



TRIM RING (BY OTHER)

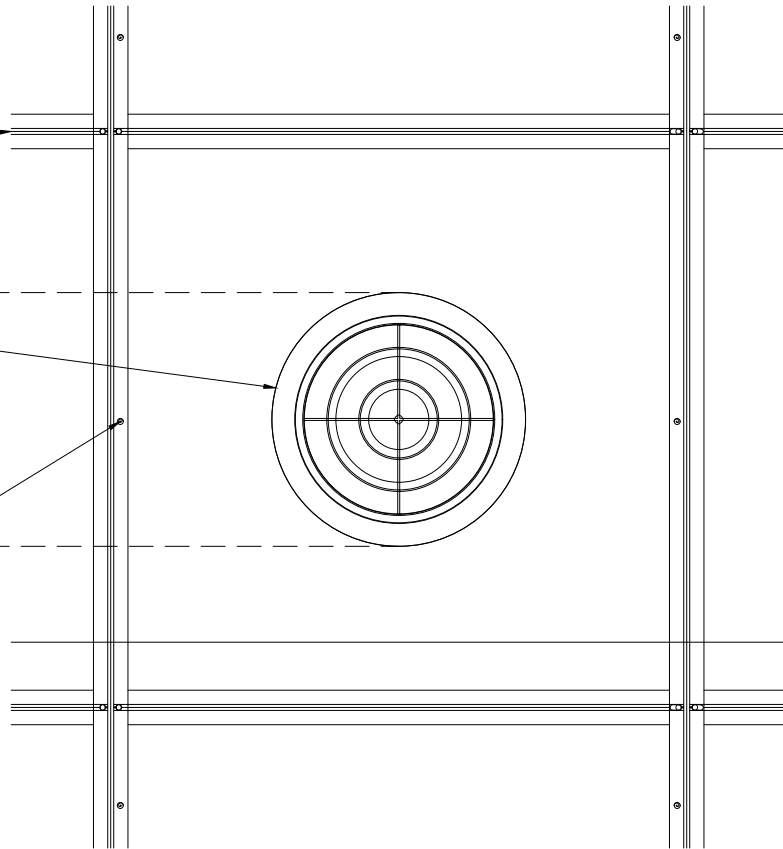
2 DIRECT ATTACH SPRINKLER SECTION  
SCALE: 1 1/2" = 1'-0"



DRYWALL T-GRID  
MAINS (BY OTHER)

INDEPENDENTLY SUPPORTED  
CUSTOMER FIXTURE (FIELD  
CUT PENETRATION)

SCREW (SEE FASTENER  
TABLE FOR TYPE AND  
SPACING)



1 DIRECT ATTACH DIFFUSER PLAN  
9 SCALE: 1 1/2" = 1'-0"

SUSPENSION (BY OTHER)

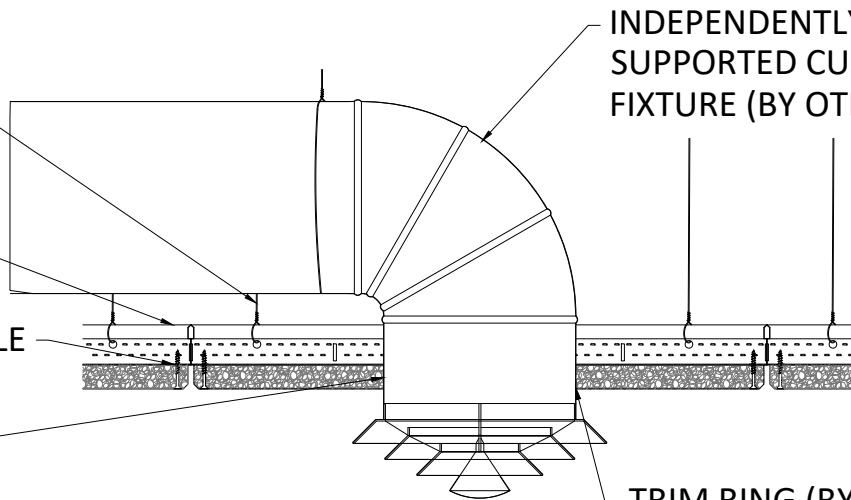
DRYWALL T-GRID  
(BY OTHER)

SCREW (SEE FASTENER TABLE  
FOR TYPE AND SPACING)

FIELD CUT  
PENETRATION

INDEPENDENTLY  
SUPPORTED CUSTOMER  
FIXTURE (BY OTHER)

TRIM RING (BY OTHER)

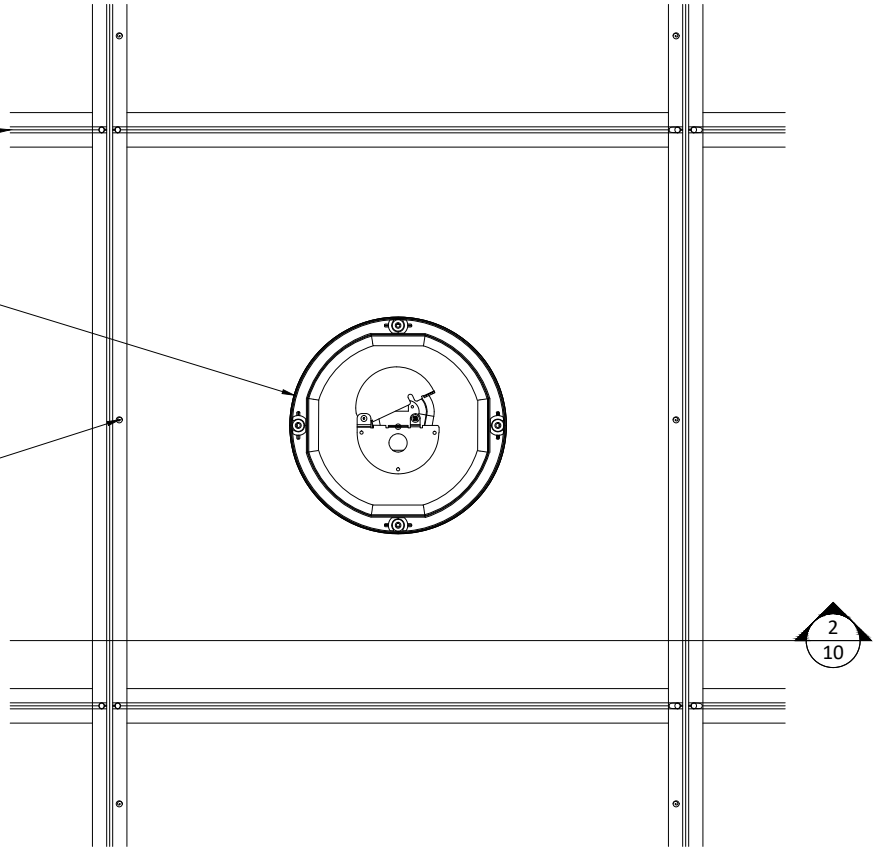


2 DIRECT ATTACH DIFFUSER SECTION  
9 SCALE: 1 1/2" = 1'-0"

DRYWALL T-GRID  
MAINS (BY OTHER)

INDEPENDENTLY SUPPORTED  
CUSTOMER FIXTURE (FIELD  
CUT PENETRATION)

SCREW (SEE FASTENER  
TABLE FOR TYPE AND  
SPACING)



1 DIRECT ATTACH SPEAKER PLAN  
10 SCALE: 1 1/2" = 1'-0"

SUSPENSION (BY OTHER)

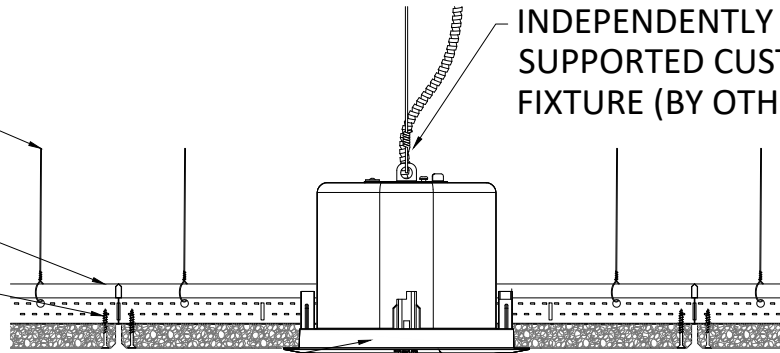
DRYWALL T-GRID  
(BY OTHER)

SCREW (SEE FASTENER TABLE  
FOR TYPE AND SPACING)

FIELD CUT  
PENETRATION

INDEPENDENTLY  
SUPPORTED CUSTOMER  
FIXTURE (BY OTHER)

TRIM RING (BY OTHER)

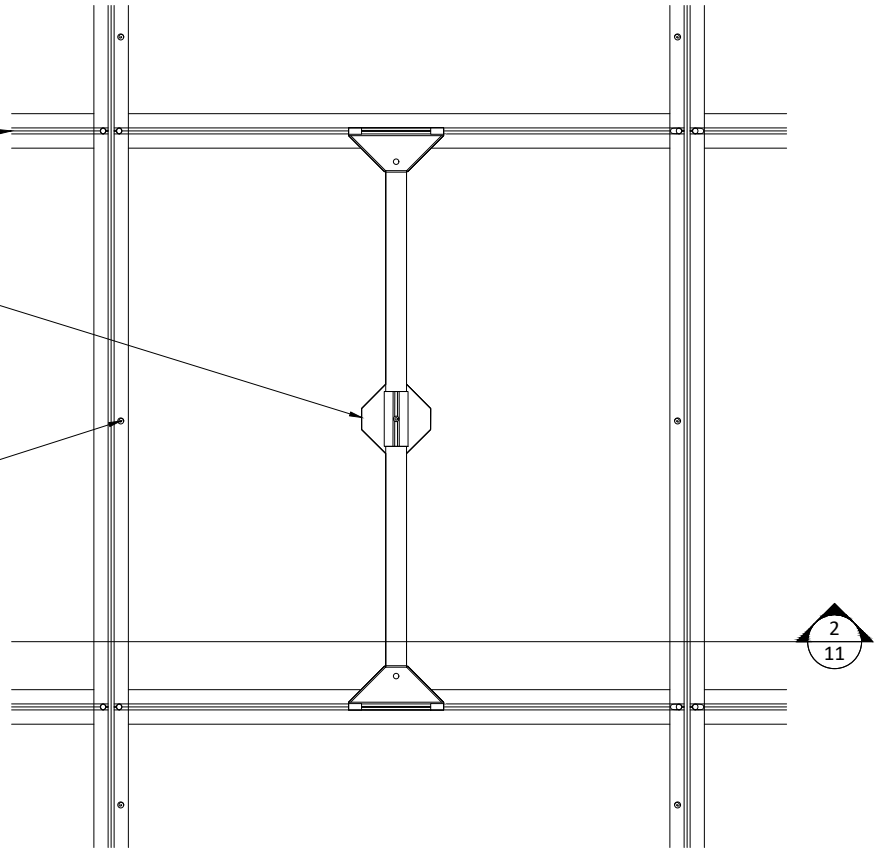


2 DIRECT ATTACH SPEAKER SECTION  
10 SCALE: 1 1/2" = 1'-0"

DRYWALL T-GRID  
MAINS (BY OTHER)

INDEPENDENTLY SUPPORTED  
CUSTOMER FIXTURE (FIELD  
CUT PENETRATION)

SCREW (SEE FASTENER  
TABLE FOR TYPE AND  
SPACING)



1  
11 DIRECT ATTACH PENDANT LIGHT PLAN  
SCALE: 1 1/2" = 1'-0"

SUSPENSION (BY OTHER)

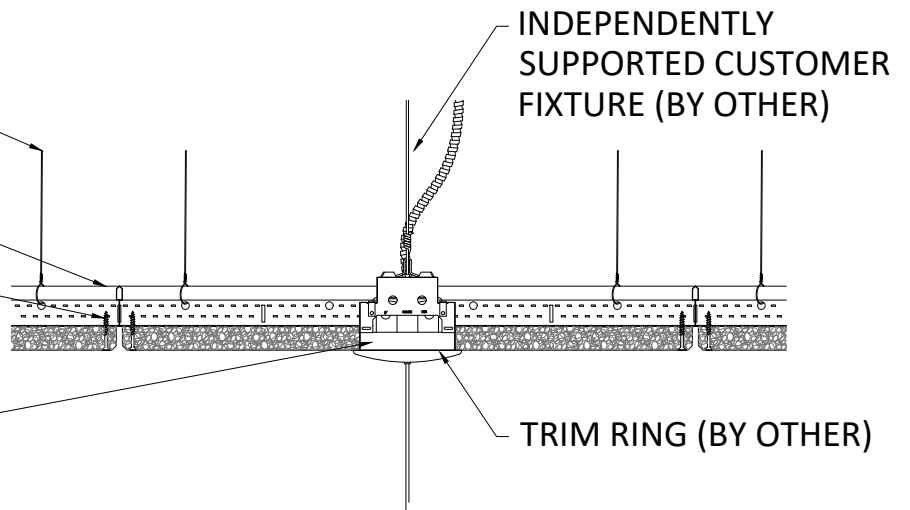
DRYWALL T-GRID  
(BY OTHER)

SCREW (SEE FASTENER TABLE  
FOR TYPE AND SPACING)

FIELD CUT  
PENETRATION

INDEPENDENTLY  
SUPPORTED CUSTOMER  
FIXTURE (BY OTHER)

TRIM RING (BY OTHER)



2  
11 DIRECT ATTACH PENDANT LIGHT SECTION  
SCALE: 1 1/2" = 1'-0"